



Custom 3M™ Paint Protection Film

*Attention to Detail:
Everything you wanted to know
about this invisible bra for the
NSX*

*Matt Zakarian- Proprietor
Detailing Dynamics, Inc.*



History of the 3M™ Paint Protection Film

- Originally developed by 3M™ for the U.S. army to protect helicopter rotors during the Korean War
- A clearcoat was subsequently added to adapt the film to automotive applications
- Detailing Dynamics began installing 3M™ Paint Protection film in 1997 on Porsche race cars to protect the paint and headlights from breakage



Reason for Recent Need

- With the recent emergence of water borne automobile paints leading to much softer clearcoats, the overwhelming need for this product simply exploded within the last recent years Now you know why your new car has so many swirl marks/spider webbing)
- A clear alternative to the standard nose bras (which frequently damages the paint it is supposed to protect)



Types of Film

- Two thicknesses (8.5 mil. and 14 mil.)
- 5 other Manufacturers making similar films (although not clearcoated)
- Construction
 - Rugged urethane specially designed to preserve the beauty and integrity of exterior automotive finishes
 - This layer is covered by a clear coat w/UV inhibitors
 - Pressure-sensitive adhesive



Is Your Car Right for the Film? Does Your Car Need it?

- An ounce of prevention is worth a ton of repainting, time and money
- When applied to the front end, wheel well, door edge, bumper, bed rail, or tailgate areas, this OEM-approved clear urethane film allows a vehicle's paint color brilliance to show through, while protecting it from damage caused by stone chips, bugs, abrasion, weathering and sometimes other cars.
- When you sell or trade-in your car, if you have repainted your front bumper due to paint chips, how will you prove to the potential buyer that it was not in an accident (which he is already suspicious of).



Add to your insurance policy!

Film removed shows protected bumper

Accident on bumper





Installation Process

- Preparation/Cleaning
 - surface must be surgically clean and free of any silicones, waxes or any contaminants
 - paint chips should be touched up (although it does not have to be perfect)
- Installation Details
 - installation facility must be clean, dust free and above 60 deg F.
 - lighting is critical
 - a slip and a setting solution is used in the installation process
 - the solutions must be adjusted based on the environment temp. and humidity
 - unlike waxing your car, mistakes are irreversible (i.e. finger prints, etc.) and the film must be discarded and re-installed
 - very labor intensive and a specialized craft
 - it is not like window tinting (installing a two dimensional film onto a three dimensional plane without the aid of heat-shrinking)
 - in most cases, this is not a DIY project
- Curing for 24 hours
 - no washing recommended
 - exposure to rain is fine
 - do not leave it exposed to the direct sunlight or extreme heat
 - If pockets of solution are present, do not push out as it will evaporate (but air will not)



Installation Process





Installation Process





Installation Process





Installation Process





Installation Process





Installation Process





Installation Process





Installation Process





Installation Process





Installation Process





Care and Maintenance of the Film

- maintain the film like your paint
 - wash
 - polish, wax (protect the exposed edge of the film with tape prior to)
- but don't pick at it or rub against the edge
- it can be safely removed from the OEM paint!
- how long does the film last?

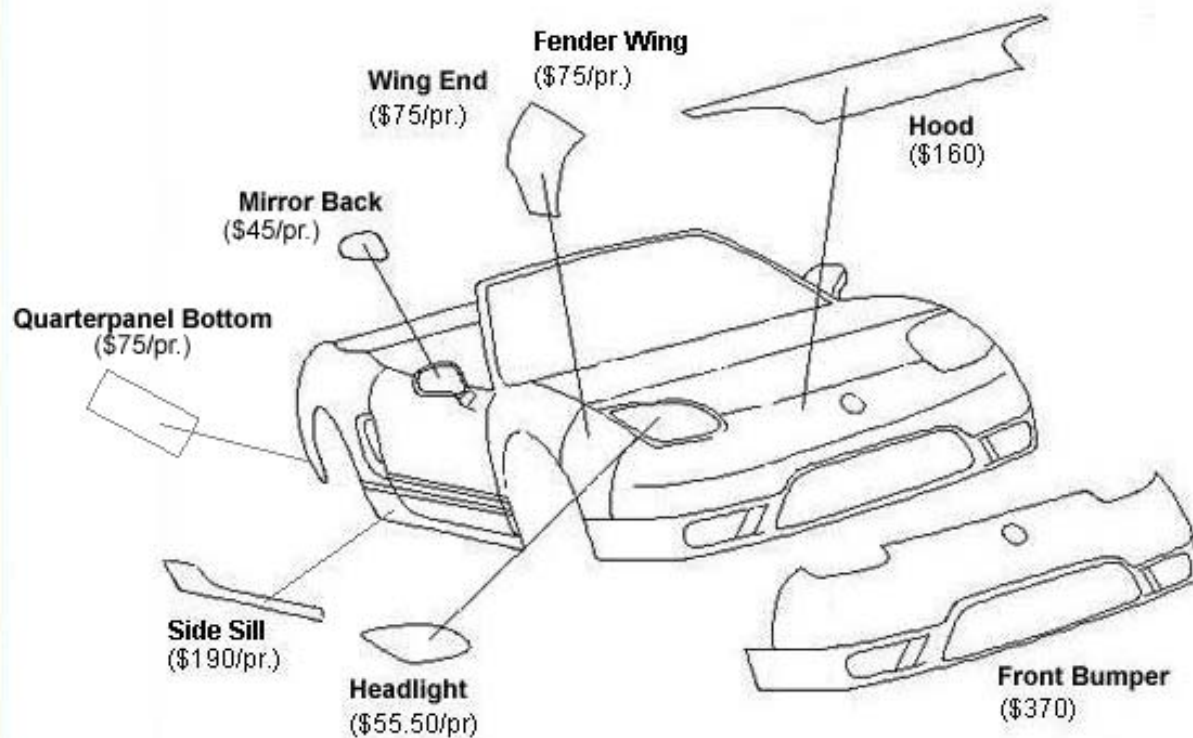
Care and Maintenance of the Film





NSX Template

NSX



While all efforts have been taken to show accurately all shapes, some may vary or change without prior notice.
All installations require a full exterior wash



NSX with Film installed (Tetsuo's Silverstone NSX)



NSX with Film installed (Tetsuo's Silverstone NSX)





NSX with Film installed (Tetsuo's Silverstone NSX)





NSX with Film installed (Tetsuo's Silverstone NSX)





Q&A

- Any questions?
- Also come see us at our vendor booth with our products and kit giveaways displayed.
 - No Tax and No Shipping Charges



Visit our website: www.detailingdynamics.com

The screenshot shows a Microsoft Internet Explorer browser window displaying the website for Detailing Dynamics. The browser's address bar shows the URL <http://www.detailingdynamics.com/index.html>. The website has a dark blue background and features a navigation menu with the following items: Home, Company, Detailing Services, Online Store, Paint Protection Film, Galleries, and Contact Us. The main content area displays two red sports cars, a Ferrari Enzo and a Ferrari F430, in a garage setting. Below the cars, the text reads: "Welcome to Detailing Dynamics. A sanctuary for those who refuse to settle for anything less than perfection. We offer the finest wax, polish, compound and detailing services for the most fastidious customers. Auto detailing solutions for enthusiast developed by professional detailers." At the bottom of the main content area, there is a search bar and a "Search" button. The footer contains the text: "We offer the finest automotive wax, polish, compound, accessories and detailing service available for the most demanding customers. Copyright ©2004 Detailing Dynamics Inc. and Detailing Dynamics Online, Inc. All Rights Reserved. Privacy Policy Terms of Use Webmaster Contact: webmaster@detailingdynamics.com". The Windows taskbar at the bottom shows the Start button and several open applications, including Microsoft Office Word, PowerPoint, and Internet Explorer. The system clock shows the time as 10:20 PM on 8-13-04.



Thank You

■ Services

- Detailing Dynamics, Inc.
66 Windsor Avenue
Mineola, NY 11501
516.747.4114

■ Detailing and Film Installation

■ Products and Accessories

- Detailing Dynamics Online Store
- www.detailingdynamics.com
1.866.DET.DyNA
(1.866.338.3962)
1.408.249.1017
- Detailing Products, Accessories, Tools, Equipment